

# DUAL PIN DRILL

EATON OIL TOOLS, INC.



*Dual Pin Drill Setup*

## Capabilities

- Single Pin Drill: 6 to 18 inch diameter casing, single-side drilling operation.
- Dual Pin Drill: 16 to 36 inch diameter casing, two aligned pin holes per operation.

## Drives

Two hydraulic drill motor options are included with the Dual Pin Drill. High-strength stainless steel spindle accepts standard 1-1/4 – 7 threaded hole saws.

- Option 1: 8.8 in<sup>3</sup>, 394 rpm max, 196 ft-lbs continuous torque. Typically used for applications where higher speed and lower torque are required.
- Option 2: 22.7 in<sup>3</sup>, 153 rpm max, 390 ft-lbs continuous torque. Typically used for heavy cutting applications, where higher torque and lower speed are required.

A thru-spindle coolant system flushes cuttings and extends tool life. The right-angle gearbox safely keeps the operator clear of the drilling operation.

## Hydraulic Power Requirements

- 30 gpm @ 1200 psi minimum

## Weights

- Dual Pin Drill Operating Weight: 756 lbs.
- Single Pin Drill Operating Weight: 380 lbs.
- Shipping Weight: 1645 lbs.
- SEPco compliant aluminum shipping crate is available by request.

## Features

- Quickly drills 2 to 6 inch holes thru multi-string casing.
- Fits on 6 to 36 inch diameter casing, the largest operating range in the industry.
- Single or Dual Pin Drill setup in one machine.
- Rolling frame eliminates need for overhead lifting.
- Modular design allows setup in spaces other drills won't fit.
- Onboard or remote operator controls.
- Built of corrosion-resistant materials.
- Lightest drill in the industry.
- Made in the USA



*Single Pin Drill Setup*

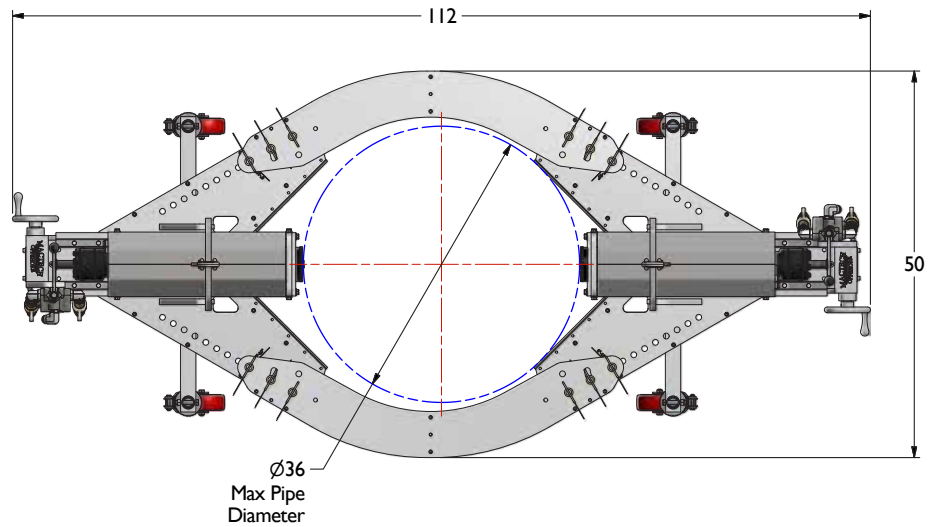
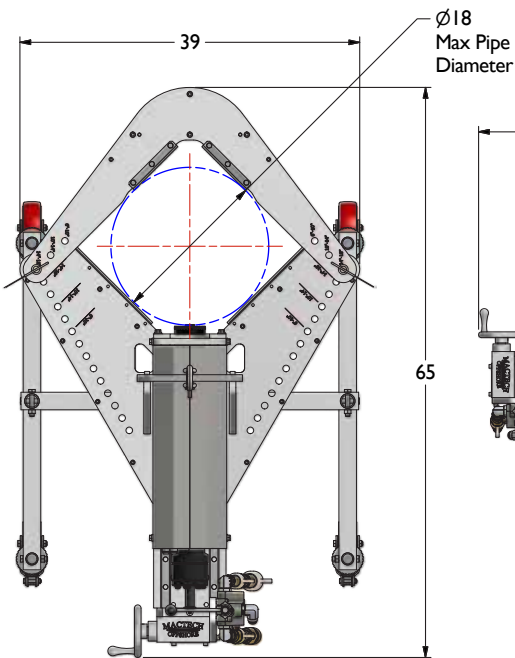
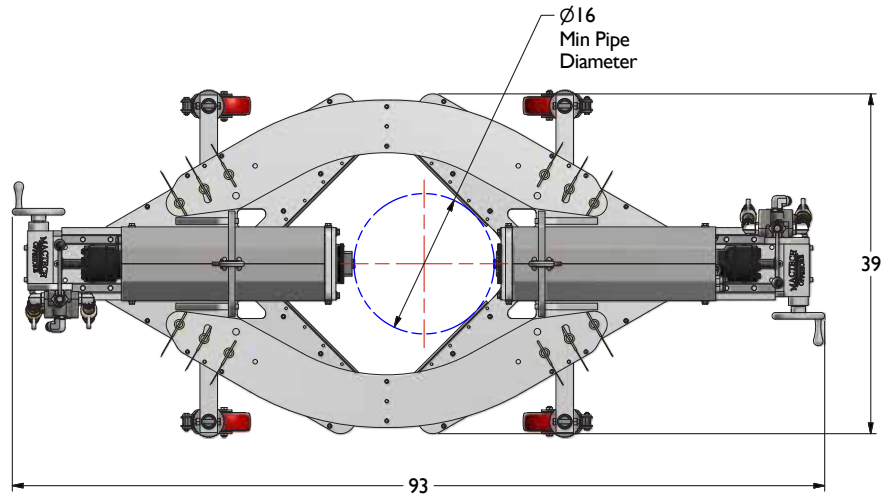
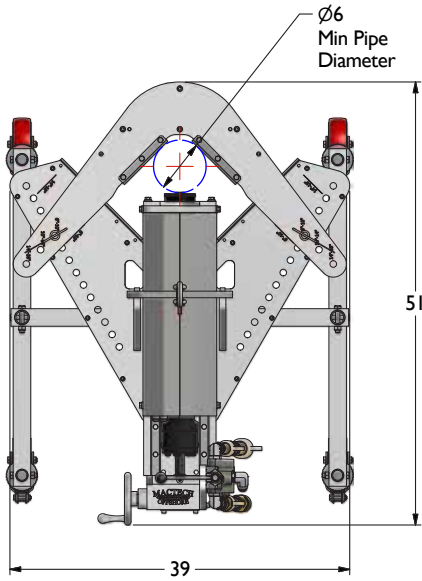


118 Rue Du Pain, Broussard, LA 70518  
PH: 337-856-8820 • FAX: 337-857-5081

[www.eatonoiltools.com](http://www.eatonoiltools.com)

# DUAL PIN DRILL

EATON OIL TOOLS, INC.



## Single Pin Drill Configuration

Minimum Pipe Diameter	6 inches
Maximum Pipe Diameter	18 inches
Stroke	21 inches
Feed Rate per Handwheel Revolution	0.10 inches

## Dual Pin Drill Configuration

Minimum Pipe Diameter	16 inches
Maximum Pipe Diameter	36 inches
Stroke	21 inches
Feed Rate per Handwheel Revolution	0.10 inches

