

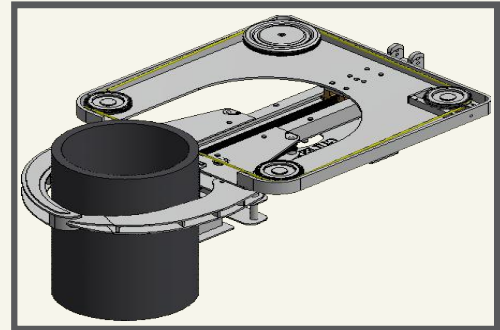
Diamond Wire Saws

Products & Services



www.eatonoiltools.com

Eaton Oil Tools offers a wide selection of Diamond Wire Saws for both topside cutting & subsea applications. Eaton saws utilize a hydraulic clamping system allowing cutting operations to be remotely operated. Our saws are easily adaptable to any and all working applications & can be partnered with any of our other decommissioning services & equipment. Eaton Oil Tools, Inc. is committed to consistent, efficient & safe work practices throughout all our equipment & services. Eaton has been operating for over 40 years in the US and we are proud of the fact that we have what many consider to be the best “hands” in the oilfield. Our reputation of all services speaks for itself!



APPLICATIONS:

- Offshore Decommissioning
- Subsea cutting
- Topside Cutting

AVAILABLE SIZES:

- 12"
- 36"
- 60"

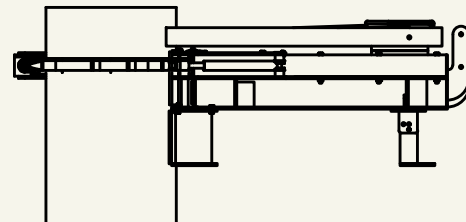
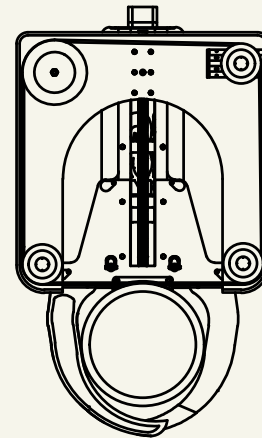
*Additional Sizes Available upon request

PARTNERED SERVICES:

- Internal Mechanical Cutting
- Internal Abrasive Cutting
- Dual Core Drills
- Terminator Cut & Pull System

*Saws designed to fit seamlessly with our complete system!

Eaton Saws feature a compact but stout design reducing preparation, setup, installation & removal time required to perform cutting operations.



CARTHAGE, TX

707 E. Sabine St.
Carthage, TX 75633
Ph: 903.694.9400

CORPORATE OPERATIONS

118 Rue Du Pain
Broussard, LA 70518
Ph: 337.856.8820

RUSTON, LA

2497 US Hwy 33
Ruston, LA 71270
Ph: 318.255.5809

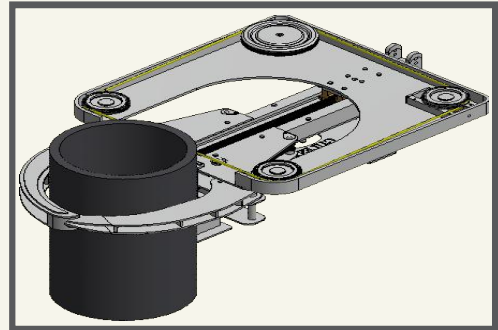
Diamond Wire Saws

Work History



www.eatonoiltools.com

Eaton Oil Tools offers a wide selection of Diamond Wire Saws for both topside cutting & subsea applications. Eaton saws utilize a hydraulic clamping system allowing cutting operations to be remotely operated. Our saws are easily adaptable to any and all working applications & can be partnered with any of our other decommissioning services & equipment. Eaton Oil Tools, Inc. is committed to consistent, efficient & safe work practices throughout all our equipment & services. Eaton has been operating for over 40 years in the US and we are proud of the fact that we have what many consider to be the best “hands” in the oilfield. Our reputation of all services speaks for itself!



CLIENTS

- Chevron
- TANA
- Fieldwood Energy
- W & T Offshore
- DLS Energy
- Shell
- Ranger Offshore
- C-Innovation



HISTORY

Eaton Diamond wire saws have made approximately 250 cuts throughout numerous locations in the GOM throughout 2017. Our saws are capable & have made cuts from surface to 5,500', operated from surface via umbilical & ROV.



CARTHAGE, TX

707 E. Sabine St.
Carthage, TX 75633
Ph: 903.694.9400

CORPORATE OPERATIONS

118 Rue Du Pain
Broussard, LA 70518
Ph: 337.856.8820

RUSTON, LA

2497 US Hwy 33
Ruston, LA 71270
Ph: 318.255.5809